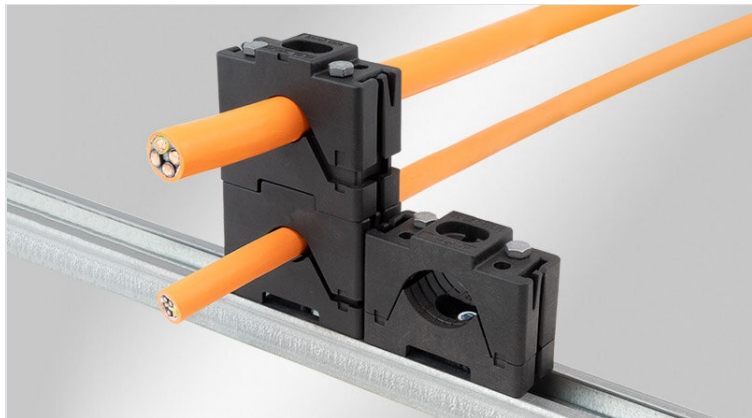


MSMC | Modular stackable cable clamp / cable cleat

for cable diameters 10 - 55 mm



IEC
61914*

NFPA
130
STANDARD

HL3
EN 45545-2

EN 61373

UV
ISO 4892-2A

ECOLAB
certified

IK07

RoHS
compliant

REACH
COMPLIANCE

Made in
Germany

The modular stackable cable clamp MSMC is used for easy, quick and secure fastening of cables, pipes and other cylindrical components. The variable clamping range is up to 16 mm.

The great advantage of this cable cleat is that it can be easily extended by stacking or baying. By using the CMC30 coupler, different clamping areas can be connected to each other. The MSMC offers a very high level of corrosion protection thanks to the choice of materials for the cable clamps and screws.

The cable cleat consists of an upper and a lower part as well as hexagon head screws. A coupler is used to easily connect several cable clamps together horizontally. The longitudinal and transverse ridges of the support surface serve to absorb torsional and tensile forces. The central mounting point (slotted hole) offers a high degree of flexibility on many surfaces. For even greater stability and torsion resistance, two long screws can be used for fastening.

The cable cleats are available as Set A for lining up and stacking or as Set B for baying. Set B contains a cable clamp (upper and lower part), a coupler and two short hexagon head screws. Set A additionally contains two long hexagon head screws.

The cable clamp can be combined with a sliding nut for optional assembly on the 35 mm / 40 mm C-rail.

* IEC 61914: Testing for short-circuit strength in preparation

Specifications

Material	Body: Polyamide Screw type mounting: Steel, zinc/nickel passivated (ISO 4017)
Flame class	UL94-V0, self-extinguishing
Operating temperature	-40 C° to 140 C°
Properties	vibration proof, silicone free, halogen free, UV-resistant
Mounting options	Screw type mounting

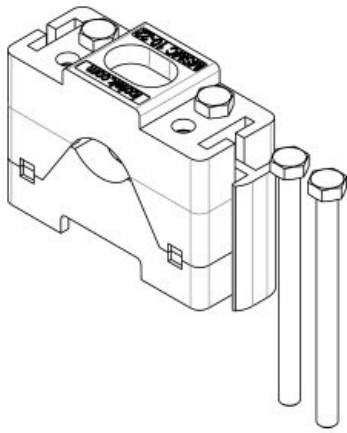
Advantages & Benefits

- Several cable clamps can be bayed or stacked together
- The diameter of the cables can vary up to 16 mm
- Designed for high strain relief
- Suitable for large cable diameters up to 55 mm
- Suitable for large bending radii of rigid cables
- Assembly on surfaces or on the C-rail
- Ridges in the half shells enable the absorption of tensile and torsional forces
- Anti-rotation lock during assembly with two through bolts
- The coupler can be used as a mounting aid for overhead mounting
- Weather-resistant material

Product types & Sizes

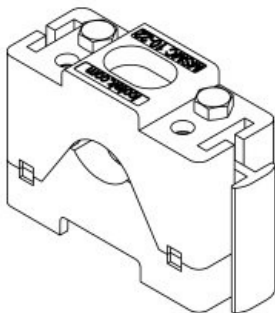
MSMC 10-22 Set A

Part No.	32400	Diam. of screw	5,2 mm
EAN	4251269335	holes	
	860	Clamping	1 x 10 - 22
Package	5	range	mm
quantity			
Length	64 mm		
Width	26 mm		
Height	47 mm		
No. of screw	1		
holes			

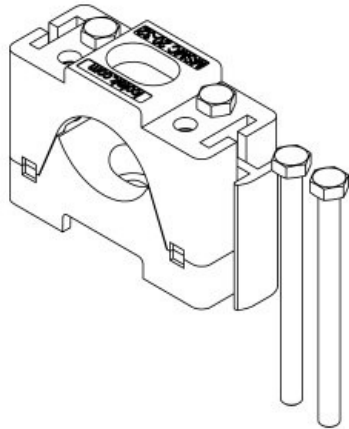


MSMC 10-22 Set B

Part No.	32401	Diam. of screw	5,2 mm
EAN	4251269335	holes	
	877	Clamping	1 x 10 - 22
Package	5	range	mm
quantity			
Length	64 mm		
Width	26 mm		
Height	47 mm		
No. of screw	1		
holes			

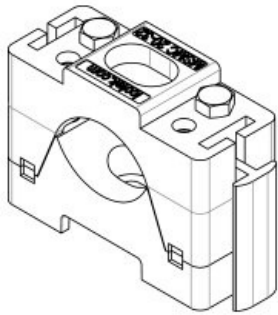


MSMC 20-32 Set A



Part No.	32410	Diam. of screw	5,2 mm
EAN	4251269335	holes	
	884	Clamping	1 x 20 - 32
Package	5	range	mm
quantity			
Length	64 mm		
Width	26 mm		
Height	47 mm		
No. of screw	1		
holes			

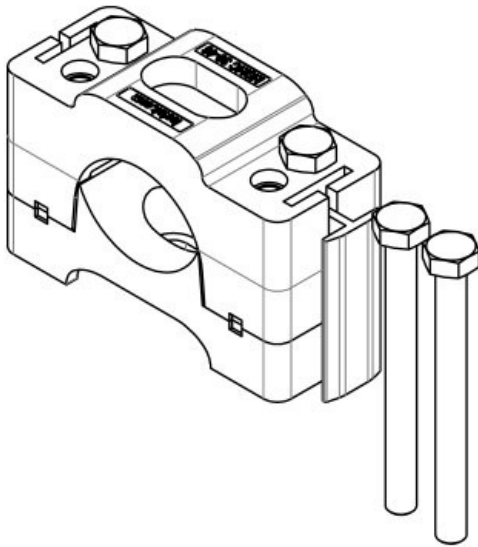
MSMC 20-32 Set B



Part No.	32411	Diam. of screw	5,2 mm
EAN	4251269335	holes	
	891	Clamping	1 x 20 - 32
Package	5	range	mm
quantity			
Length	64 mm		
Width	26 mm		
Height	47 mm		
No. of screw	1		
holes			

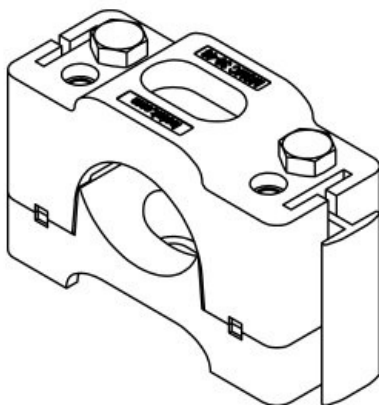
MSMC 30-46 Set A

Part No.	32420	Diam. of screw	8,2 mm
EAN	4251269334	holes	
	665	Clamping range	1 x 30 - 46 mm
Package quantity	5		
Length	100 mm		
Width	40 mm		
Height	64,5 mm		
No. of screw holes	1		

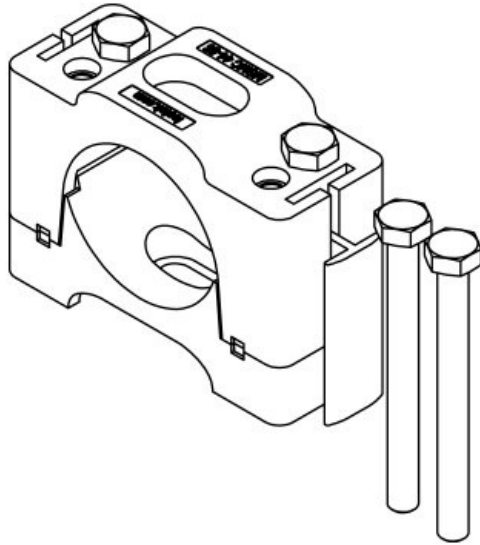


MSMC 30-46 Set B

Part No.	32421	Diam. of screw	8,2 mm
EAN	4251269334	holes	
	672	Clamping range	1 x 30 - 46 mm
Package quantity	5		
Length	100 mm		
Width	40 mm		
Height	64,5 mm		
No. of screw holes	1		

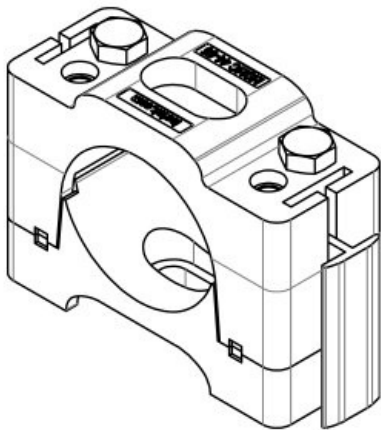


MSMC 44-55 Set A



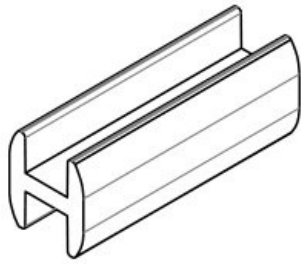
Part No.	32430	Diam. of screw	8,2 mm
EAN	4251269334	holes	
	689	Clamping	1 x 44 - 55
Package	5	range	mm
quantity			
Length	100 mm		
Width	40 mm		
Height	72,5 mm		
No. of screw	1		
holes			

MSMC 44-55 Set B



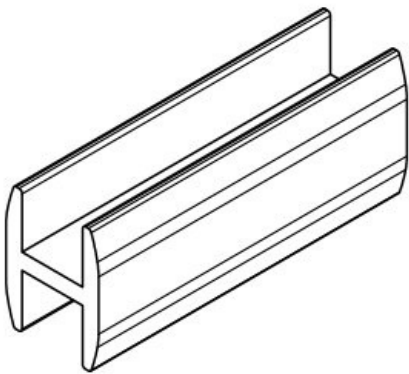
Part No.	32431	Diam. of screw	8,2 mm
EAN	4251269334	holes	
	696	Clamping	1 x 44 - 55
Package	5	range	mm
quantity			
Length	100 mm		
Width	40 mm		
Height	72,5 mm		
No. of screw	1		
holes			

CMC10



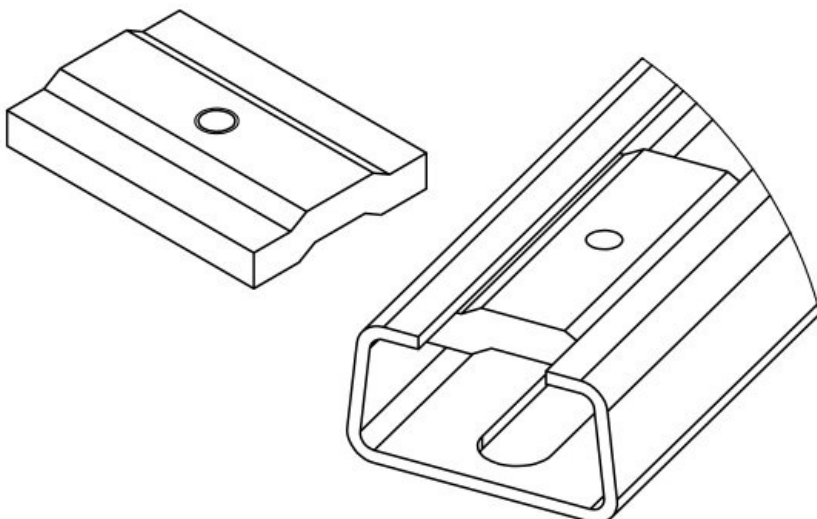
Part No. **32598**
EAN **4251269335**
914
Package quantity **10**
Suitable for: **MSMC 10-22**
/ MSMC 20-32
Length **12 mm**
Width **13,4 mm**
Height **35 mm**

CMC30



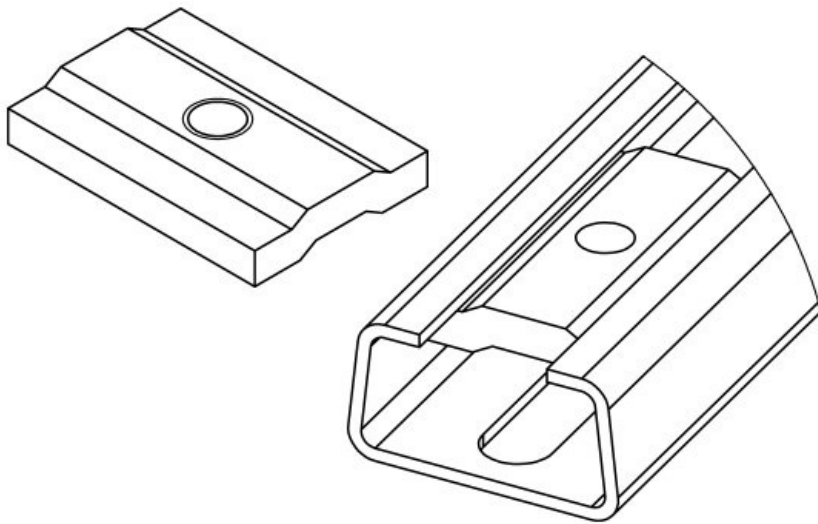
Part No. **32599**
EAN **4251269334**
702
Package quantity **10**
Suitable for: **MSMC 30-46**
/ MSMC 44-55
Length **15 mm**
Width **20 mm**
Height **50 mm**

SCMC10



Part No. **32596** No. of screw **1**
EAN **4251269335** holes
907 Thread **M5 x 0,5**
Package quantity **5**
Suitable for: **MSMC 10-22**
/ MSMC 20-32
Length **40 mm**
Width **28 mm**
Height **5 mm**

SCMC30



Part No.	32597	No. of screw	1
EAN	4251269335	holes	
	921	Thread	M8 x 0,5
Package quantity	5		
Suitable for:	MSMC 30-46		
	/ MSMC 44-		
	55		
Length	40 mm		
Width	28 mm		
Height	5 mm		

icotek[®]
smart cable management